

# GREENBACK SPIDER

Travelling Irrigator

**WILLIAMS**

Our reputation is spreading

Increase your pasture production by capitalizing on your farms available resources with the Williams Greenback Spider travelling irrigator. A simple speed change procedure with a choice of five travel speeds, allows for greater control of effluent application depths (minimum of 5mm) thus optimizing the benefits of the natural fertilizer.

## FEATURES

|  |   |
|--|---|
| 5mm application depth  | Distribution uniformity of less than 1.25 |
| 5 travel speeds  | Suitable for electric and PTO pumps       |
| Even spread with new arm design  | Travel distance up to 400 metres          |
| 5mm galvanised, stainless steel or synthetic wire rope with lengths of 250m, 300m and 400m | NZ designed and manufactured              |
| Drags up to 90mm alkathene   | Neat and tidy, easy to use                |
| Maximum volume of 90 cubic metres per hour   | Built to last                             |
|  | Cost effective                            |



[www.williamsirrigation.com](http://www.williamsirrigation.com)

# Williams' Greenback Spider

## PERFORMANCE CHART

| Pressure at Irrigator with 13mm nozzles                |                             |  |                             |  |                             |             |
|--|-----------------------------|--|-----------------------------|--|-----------------------------|-------------|
| 30psi  |                             | 40psi  |                             | 50psi  |                             |             |
| Average Application Depth                              | Travel Speed Metres/Minutes | Average Application Depth                              | Travel Speed Metres/Minutes | Average Application Depth                              | Travel Speed Metres/Minutes |             |
| 2  | 35                          | 0.30m / min  | 36                          | 0.40m / min  | 39                          | 0.40m / min |
| 4  | 17                          | 0.60m / min  | 18                          | 0.75m / min  | 20                          | 0.80m / min |
| 6  | 13                          | 1.05m / min  | 14                          | 1.10m / min  | 15                          | 1.20m / min |
| 8  | 9                           | 1.60m / min  | 9                           | 1.65m / min  | 10                          | 1.60m / min |
| 10   | 5                           | 2.00m / min  | 5                           | 2.10m / min  | 6                           | 2.20m / min |
| Approx. Flowrate: 19,625 L/Hr<br>Wetted Diameter: 34 m |                             | Approx. Flowrate: 25,755 L/Hr<br>Wetted Diameter: 38 m |                             | Approx. Flowrate: 30,120 L/Hr<br>Wetted Diameter: 42 m |                             |             |

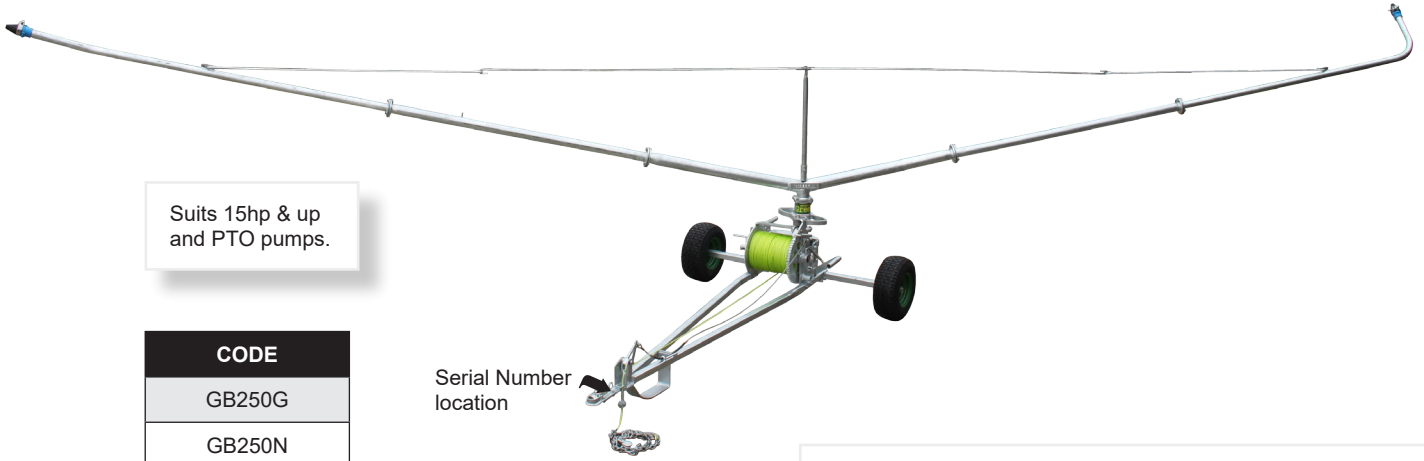
Teeth taken per revolution

\*Results from testing with Massey University. These tests have been done using liquid from an effluent pond to give the most accurate results possible. This information should only be used as a guideline.

## SPECIFICATIONS

| Suits 15hp - 30hp High Pressure Pumps & PTO Pumps |            |                  |       |
|---|------------|------------------|-------|
| Travel Distance                                   | 250 - 400m | Minimum Pressure | 2 bar |
| Spreading Width                                   | 30 - 50m   | Maximum Pressure | 6 bar |
| Boom Width  | 9m         | Max. Draghose    | 90 od |

# Greenback Spider Parts



Suits 15hp & up  
and PTO pumps.

| CODE   |
|--------|
| GB250G |
| GB250N |
| GB300G |
| GB300N |
| GB400G |
| GB400N |

Serial Number  
location

## TRAVELLING IRRIGATORS - MODEL CODE

200, 250, 300, 400 denotes wire rope length/travel distance.

"G" denotes Galvanised Wire Rope.

"N" denotes Nylon/Synthetic Rope.

*Stainless Steel Wire Rope available on request.*

## MOST REQUIRED PARTS



SP5L



SP110



SP1



SP2



GB900



GB107



GBM1

| PART  | CODE   |
|---|--------|
| Camfollower Assembly                                      | SP5L   |
| Side Plate Nylon Bearings                                 | SP110  |
| Power Nozzle  | SP1    |
| Nozzle Clamp  | SP2    |
| Cam Service Kit, bearings, seals, o ring and circlip only | GB900  |
| Rotor Spindle   | GB107  |
| 250m of 5mm Galv Wire Rope with fittings                  | GB1    |
| 250m of 5mm Synthetic Wire Rope with fittings             | SW5250 |
| 300m of 5mm Galv Wire Rope with fittings                  | GB3    |
| 300m of 5mm Synthetic Wire Rope with fittings             | SW5300 |
| 400m of 5mm Galv Wire Rope with fittings                  | GB5    |
| 400m of 5mm Synthetic Wire Rope with fittings             | SW5400 |

*Stainless Steel Wire Rope available on request.*

## CAM



GB106

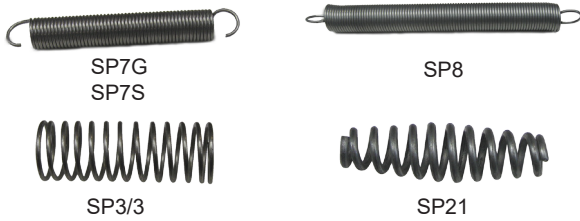
| PART   | CODE        |
|--|-------------|
| Cam and bearing housing                                | GB106       |
| Bearing Top  | BEAR6012    |
| 60mm External Circlip                                  | CEXT060B    |
| M10 x 35 Hex Set Full Thrd SS304                       | 304HX10035S |
| Bearing Bottom   | BEAR6013    |
| M10 Nyloc Nut SS304                                    | 304NNYL10   |
| O ring   | ORING76X4   |
| M10 x 40 Hex Bolt/Nut 4.6 Galv                         | HX10040G    |
| Rotor Spindle (tapered S/S pipe that carries bearings) | GB107       |
| Seal 60 x 95 (1x per machine)                          | SEAL60X95   |

## CAMFOLLOWER



| PART                    | CODE   |
|-------------------------|--------|
| Bolt with grease nipple | SP5L/B |
| M16 Flat Washer SS316   | SP5L/C |
| Bush S/S                | SP5L/D |
| Bearing Camfollower     | SP5L/E |
| Complete Assembly       | SP5L   |

## SPRINGS



| PART  | CODE  |
|---|-------|
| Tooth Spring Galv   | SP7G  |
| Tooth Spring Stainless Steel  | SP7S  |
| Crank Return Spring   | SP8   |
| Brake Spring  | SP3/3 |
| Barrel Spring (takes strain off wire when irrigator is tripped out) | SP21  |

## BRAKE ASSEMBLY



| PART                       | CODE     |
|----------------------------|----------|
| Brake Assembly             | SP3      |
| Brake Block                | SP3/2    |
| Spring                     | SP3/3    |
| M10 Heavy Flat Washer Galv | WFH1025G |
| Splitpin                   | SP 301   |

## AUTO SHUT OFF VALVE

| PART               | CODE  |
|--------------------|-------|
| 65mm Shutoff Valve | GB800 |

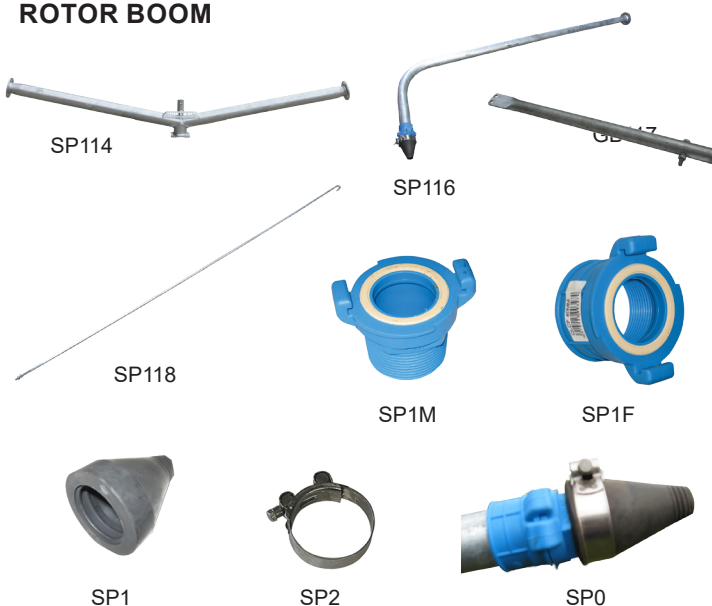


## TOOTH



| PART                           | CODE  |
|--------------------------------|-------|
| Ratchet Tooth                  | SP111 |
| Tooth pin including split pins | SP113 |

## ROTOR BOOM



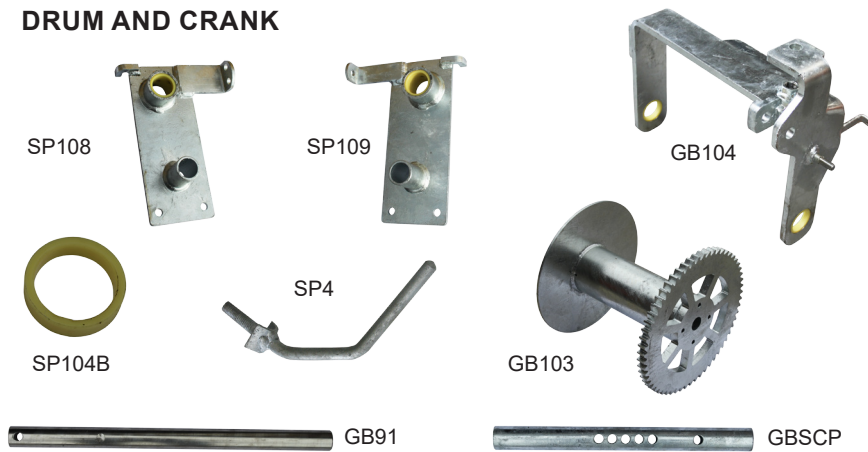
| PART  | CODE      |
|---|-----------|
| Rotor Centre                                  | SP114     |
| Rotor Intermediate Extensions                 | SP115     |
| Rotor Outer Extension 80° Bend (includes SP0) | SP116     |
| Rotor Outer Extension 10° Bend (includes SP0) | SP116A    |
| Stay Support Pole & Bolt                      | GB117     |
| Stay Rod Extensions                           | GB119     |
| Stay Rod & Nuts                               | SP118     |
| Nozzle quick release fittings male            | SP1M      |
| Nozzle quick release fitting female           | SP1F      |
| Power Nozzle with 13mm hole                   | SP1       |
| Nozzle Clamp                                  | SP2       |
| Nozzle with Clamp and Quick Release Fittings  | SP0       |
| Seal 60 x 75 (3x per machine)                 | SEAL60X75 |

## WIRE ACCESSORIES



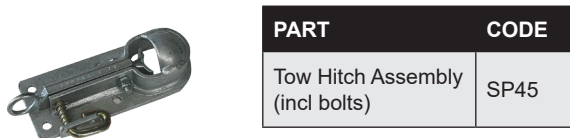
| PART  | CODE     |
|---|----------|
| Wire rope 5mm Galv per metre                                    | WIRE5G   |
| Wire rope 5mm Synthetic per metre                               | SW5      |
| Wire rope 5mm SS per metre                                      | WIRE5SS  |
| 5mm Sleeve (crimp)  | SLEEVE5  |
| 5mm Thimble (eye)   | THIMBLE5 |
| Trip Wire (5mm wire)  | GB120    |
| 6mm D Shackle Galv  | SHACKLE4 |
| Wire Guide (where the wire runs through on irrigator)           | SP121    |
| Anchoring Chain, Grab hook and D Shackle                        | SP66     |
| Barrel Spring   | SP21     |
| Barrel Washer   | SP22     |
| Wire Stop (lets you stop the irrigator anywhere along the rope) | SP20     |

## DRUM AND CRANK



| PART   | CODE   |
|--|--------|
| Left Bearing Side Plate (includes bush)      | SP108  |
| Right Bearing Side Plate (includes bush)     | SP109  |
| Crank  | GB104  |
| Crank Bush                                   | SP104B |
| Winch Crank Handle                           | SP4    |
| Winch Drum with Collar (not including shaft) | GB103  |
| Stainless Steel Drum Axle                    | GB91   |
| GB Speed Change Pipe                         | GBSCP  |

## TOW HITCH



## WIRE LAYER

| PART                 | CODE |
|----------------------|------|
| Wire Layer Greenback | WLGB |



## WHEELS

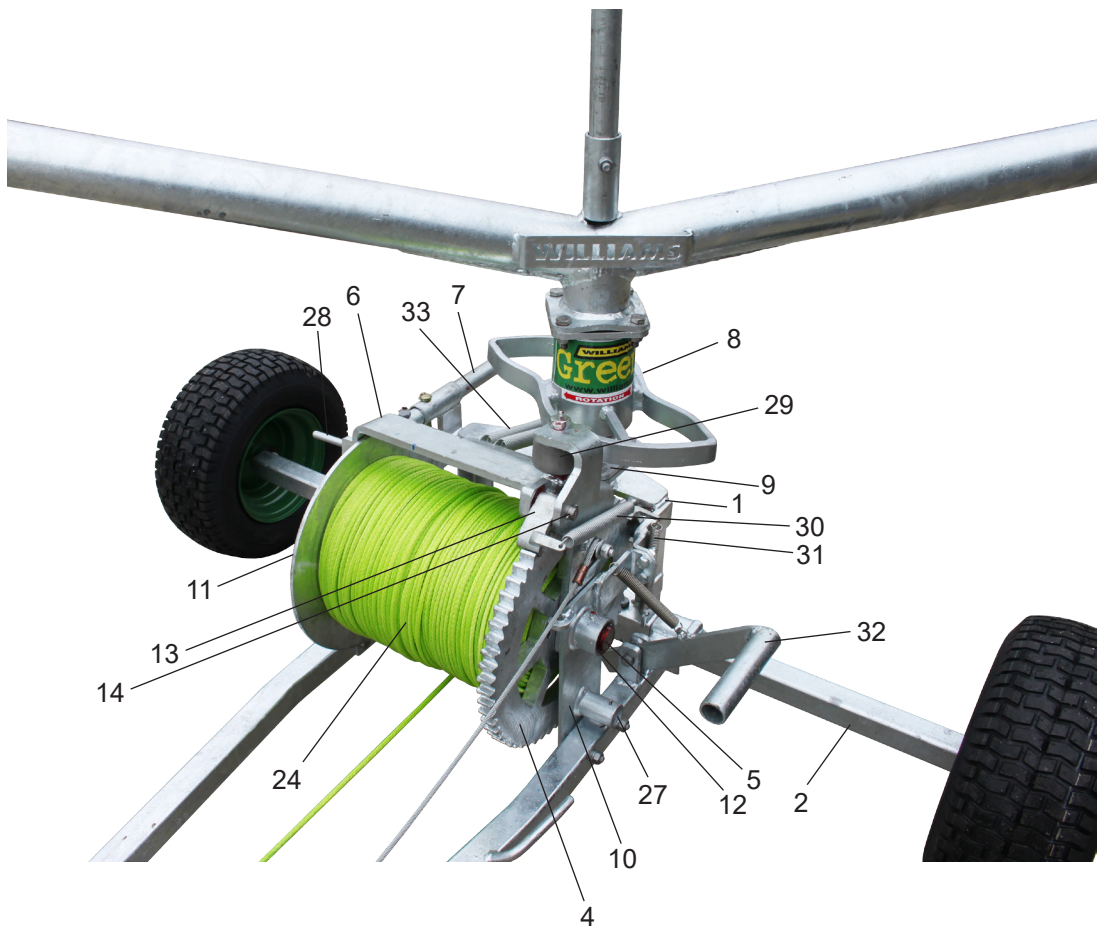
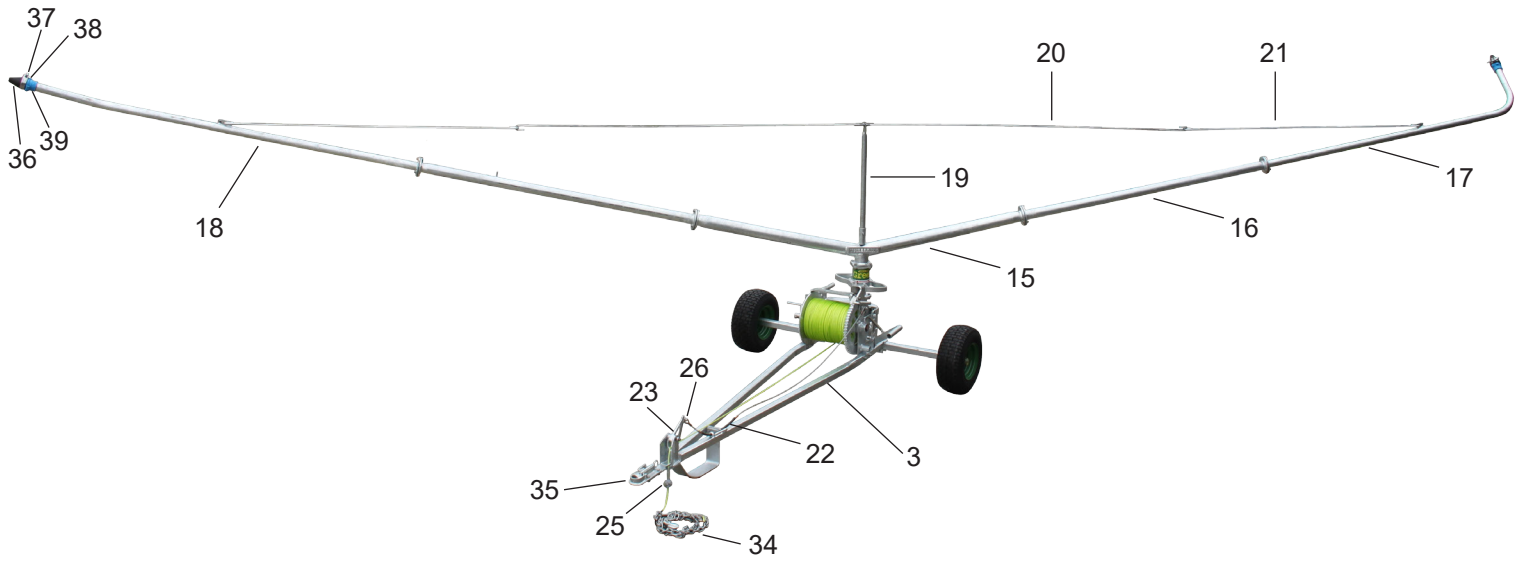


| PART                 | CODE     |
|----------------------|----------|
| Wheel Assembly       | GB11     |
| Wheel Bush/pair      | SP11B    |
| Wheel Lynch Pin      | B3       |
| M20 Flat Washer Galv | WFH2039G |

All Greenbacks have 19mm axles.



FOLD UP BOOM OPTION AND  
ROAD WHEELS FOR GREENBACK  
**\$940+GST**



| ITEM | PART DESCRIPTION  | CODE                   |
|------|---|------------------------|
| 1    | Rear Frame  | GB101                  |
| 2    | Rear Axle   | GB101B                 |
| 3    | Front Frame   | GB102                  |
| 4    | Winch Drum  | GB103                  |
| 5    | Winch Drum Axle   | GB91                   |
| 6    | Crank   | GB104                  |
| 7    | Speed Change Pipe   | GBSCP                  |
| 8    | Cam and Bearing Housing                                     | GB106                  |
| 9    | Rotor Spindle   | GBM107                 |
| 10   | Left Side Plate   | SP108                  |
| 11   | Right Side Plate  | SP109                  |
| 12   | Side Plate Bearing  | SP110                  |
| 13   | Ratchet Tooth   | SP111                  |
| 14   | Ratchet Tooth Pin   | SP113                  |
| 15   | Rotor Centre  | SP114                  |
| 16   | Rotor Intermediate Arm Extensions                           | SP115                  |
| 17   | Rotor Outer Extension 80° Bend                              | SP116                  |
| 18   | Rotor Outer Extension 10° Bend                              | SP116A                 |
| 19   | Stay Support Pole & Bolt                                    | SP117                  |
| 20   | Stay Rod & Nuts   | SP118                  |
| 21   | Stay Rod Extensions   | GB119                  |
| 22   | Trip Wire 5mm   | GB120                  |
| 23   | Wire Guide  | SP121                  |
| 24   | Wire Rope   | WIRE5SS / WIRE5G / SW5 |
| 25   | Wire Rope Fittings (sleeves, thimble, spring and wire stop) | FITTINGS5              |
| 26   | Trip Wire Shackle   | DSHKL06G               |
| 27   | Brake Assembly  | SP3                    |
| 28   | Winch Drum Handle   | SP4                    |
| 29   | Camfollower Assembly  | SP5L                   |
| 30   | Tooth Spring Galv   | SP7G                   |
| 31   | Tooth Spring Stainless Steel                                | SP7S                   |
| 32   | Disengage Lever Assembly                                    | GBDLEV                 |
| 33   | Crank Return Spring   | SP8                    |
| 34   | Anchoring Chain, Grab Hook & D Shackle                      | SP66                   |
| 35   | Tow Hitch Assembly  | SP45                   |
| 36   | Power Nozzle  | SP1                    |
| 37   | Nozzle Clamp  | SP2                    |
| 38   | Quick Release Fitting Male                                  | SP1M                   |
| 39   | Quick Release Fitting Female                                | SP1F                   |